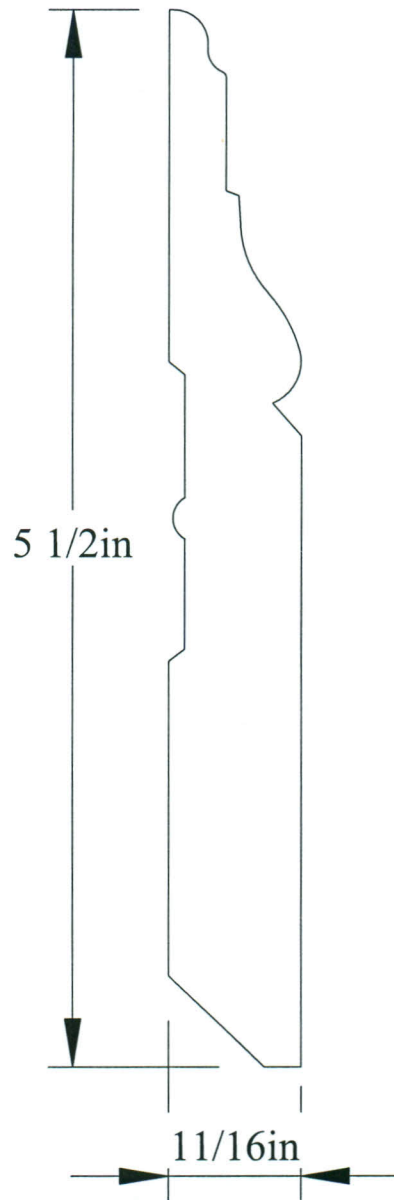
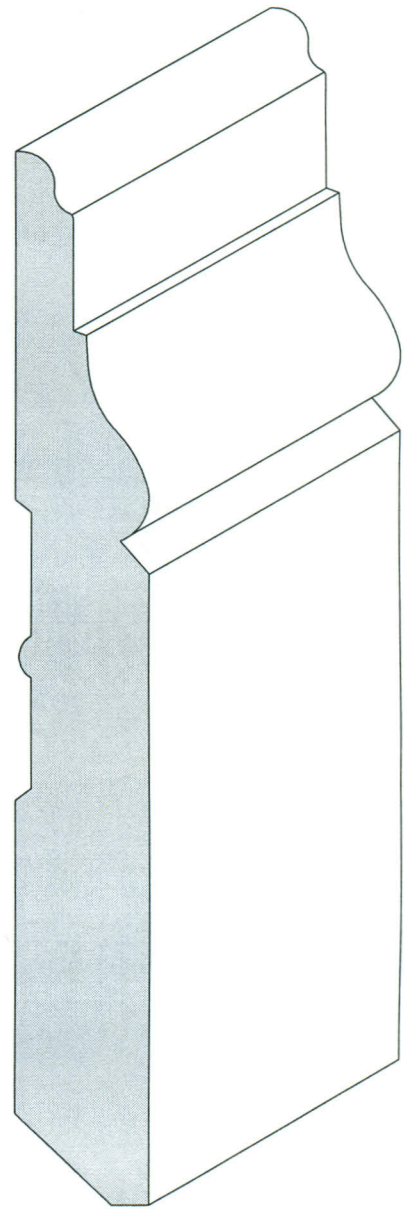




1900 Steeles Ave. West  
 Tel: (905) 738-2111  
 Fax: (905) 738-2263  
 Email: sales@centralfairbank.com



|                  |                                     |
|------------------|-------------------------------------|
| Profile # - 227B |                                     |
| POPLAR           | <input checked="" type="checkbox"/> |
| RED OAK          | <input type="checkbox"/>            |
| SEL. PINE        | <input type="checkbox"/>            |
| MAPLE            | <input type="checkbox"/>            |
| CHERRY           | <input type="checkbox"/>            |
| SEL. CEDAR       | <input type="checkbox"/>            |