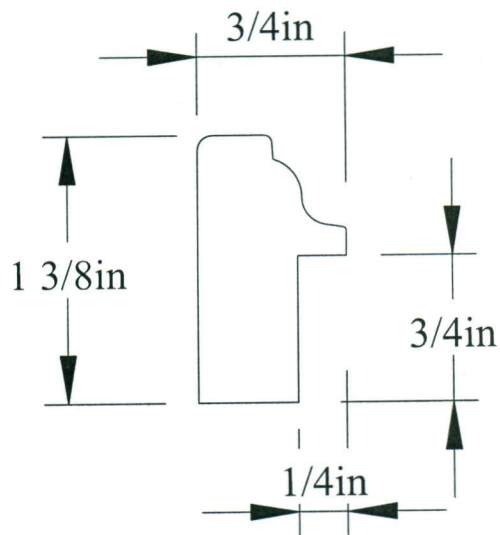
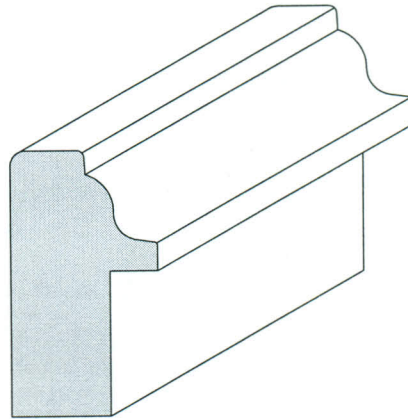




1900 Steeles Ave. West
 Tel: (905) 738-2111
 Fax: (905) 738-2263
 Email: sales@centralfairbank.com



| | |
|-----------------|-------------------------------------|
| Profile # - 224 | |
| POPLAR | <input checked="" type="checkbox"/> |
| RED OAK | <input checked="" type="checkbox"/> |
| SEL. PINE | <input type="checkbox"/> |
| MAPLE | <input type="checkbox"/> |
| CHERRY | <input type="checkbox"/> |
| SEL. CEDAR | <input type="checkbox"/> |